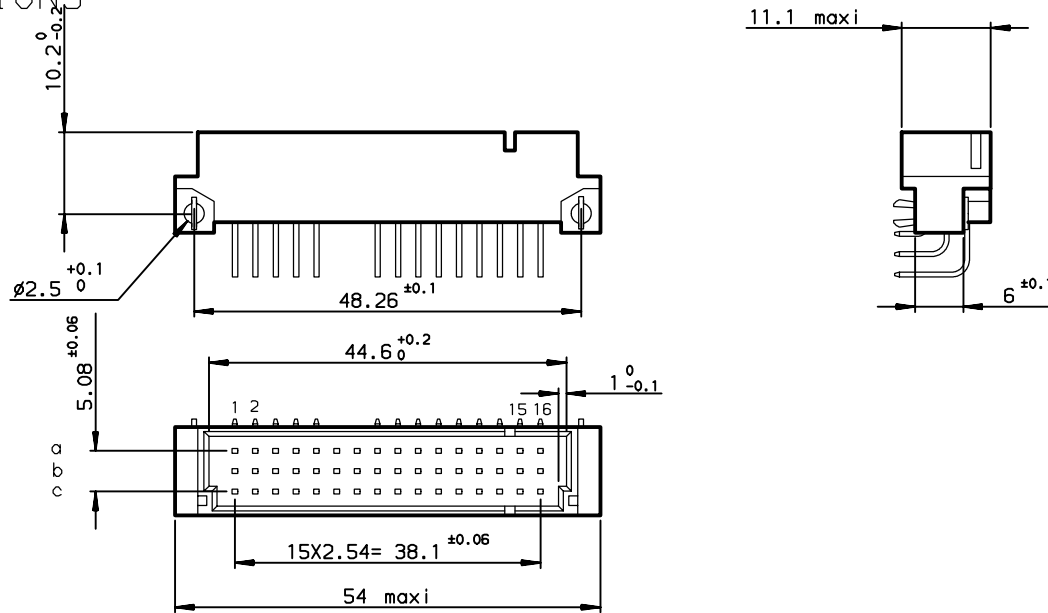


DIMENSIONS



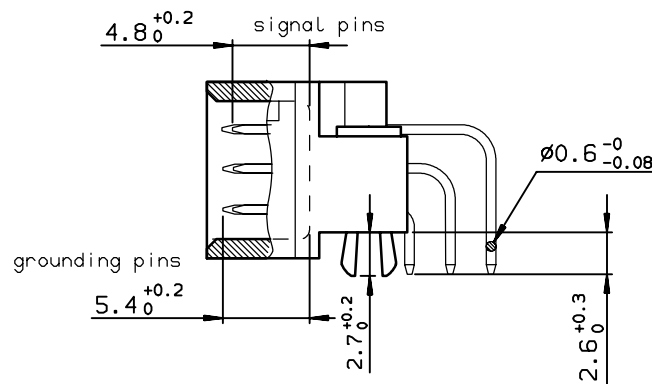
TIN LEAD PART NUMBER

PART NUMBER
86093427313H50781E1

LEAD FREE PART NUMBER

PART NUMBER
86093427313H50BSLF

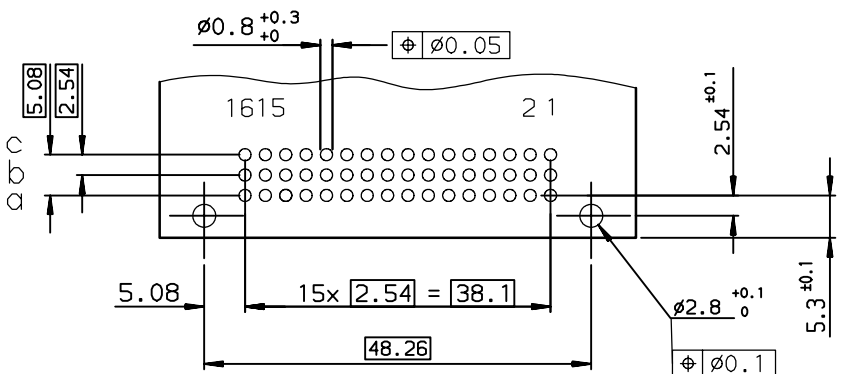
TERMINATION



SPECIFICATION 781 = no contact in position : row=a-b-c cavitys 6-7
or SPECIFICATION BS = + grounding pins in a15-b15-c15

PCB DRILLING

component side



GENERAL CHARACTERISTICS AND ROHS INFORMATIONS:

SEE DRAWING C-8609-0000A

European Views

www.fciconnect.com		surface ISO 1302	tolerance std ISO 406 ISO 1101	projection mm	size A3	Scale 1.5
TOLERANCES UNLESS OTHERWISE SPECIFIED						
Dr	ROUILLARD	1998/03/06	ANGULAR	0.X	±0.1	ECN L506-0095
Eng	TARON	1998/03/06	LINEAR	0.XX	±0.1	
Chr	LEGARE	1998/03/06	0.XX' ±2'	0.XXX	±0.1	
Appr	LEGARE	1998/03/06	Product family	DIN 8609		Spec ref -
FCI			STANDARD MALE 3 ROW		Title	
			42 CONTACTS		C-8609-0694	
catalog no					Rev. E	

rev	ecn no	dr	date
C	-	ROU	1999/12/10
D	L505-001	JTA	2005/03/01
E	L506-0095	LGO	2006/06/24
-	-	-	-
-	-	-	-
-	-	-	-



Copyright FCI.